

Industrial HMI Operator Panel N04

HMI
N SERIES

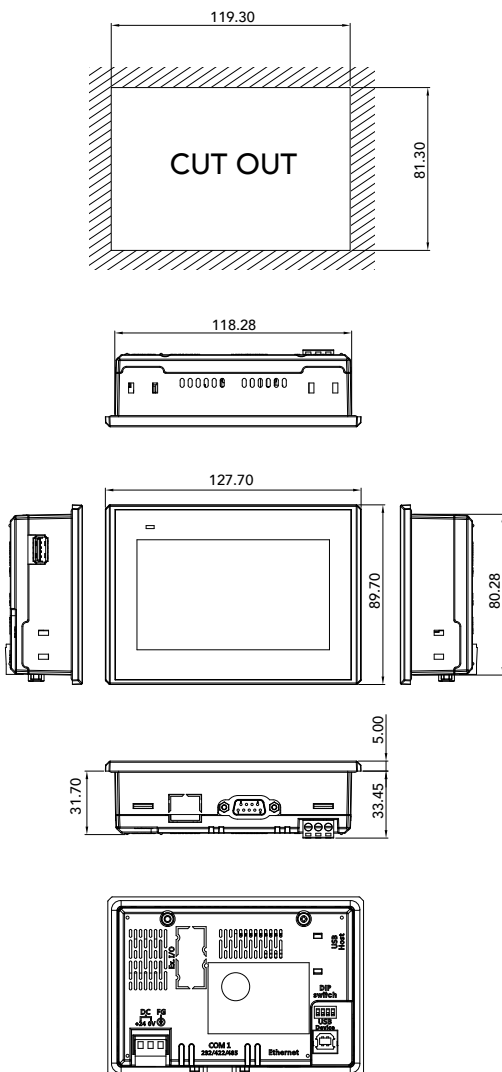


Features

- ARM 9 (400 MHz)
- 4.3" TFT 480 x 272, 500 cd/m², 20,000 hours
- 19.2 ~ 28.8V, Isolated Power
- Plastic chassis, fan-less design
- Panel mount, IP65 front bezel
- Suitable for industrial applications

Specifications

CPU	ARM 9 (400 MHz)
Memory	128MB SDRAM
Storage	128MB NAND Flash
I/O	1 x USB 1.1 host Type A 1 x USB 2.0 device Type B 1 x RS232 1 x RS422/485, COM1 1 x 10/100 Mbit Ethernet Port
Display	4.3" TFT, 480 x 272 Luminance 500 (cd/m ²) View angle 140/120 (H°/V°) Backlight Lifetime 20,000 hours Contrast ratio 500:1
Touch Screen	4-wire resistive touch
Power	19.2 ~ 28.8V Isolated Power
Construction	Plastic IP65 front bezel
Net Weight(Kgs)	0.25 Kg
Mounting	Panel mount
Dimensions (mm)	127.7(W) x 89.7(H) x 36.7(D)
Operating Temp.	0°C ~ 45°C
Storage Temp.	-20°C ~ 60°C
Humidity	10% to 90% @ 40°C, (non-condensing)
Certification	CE/FCC (EN 61000-6-4, EN 61000-6-2)/UL



Ordering Information

N04F-N

4.3" TFT 480 x 272 fan-less HMI with ARM 9 (400 MHz) CPU, 128MB RAM, 128M Flash, resistive touch screen, Ethernet, 19.2 ~ 28.8V isolated power, plastic chassis and IP65 front bezel

NOVAKON